

NUSSBAUMER & CLARKE, INC.
 EST. 1933
 ENGINEERS AND SURVEYORS

3556 Lake Shore Road, Suite 500 | Buffalo, NY 14219
 (716) 827-8000 | (716) 826-7658 fax
 www.nussclarke.com

PENDLETON PARK IMPROVEMENTS
 6570 CAMPBELL BLVD. LOCKPORT, NY

UTILITY PLAN

REVISIONS		
No.	DESCRIPTION	DATE
0		

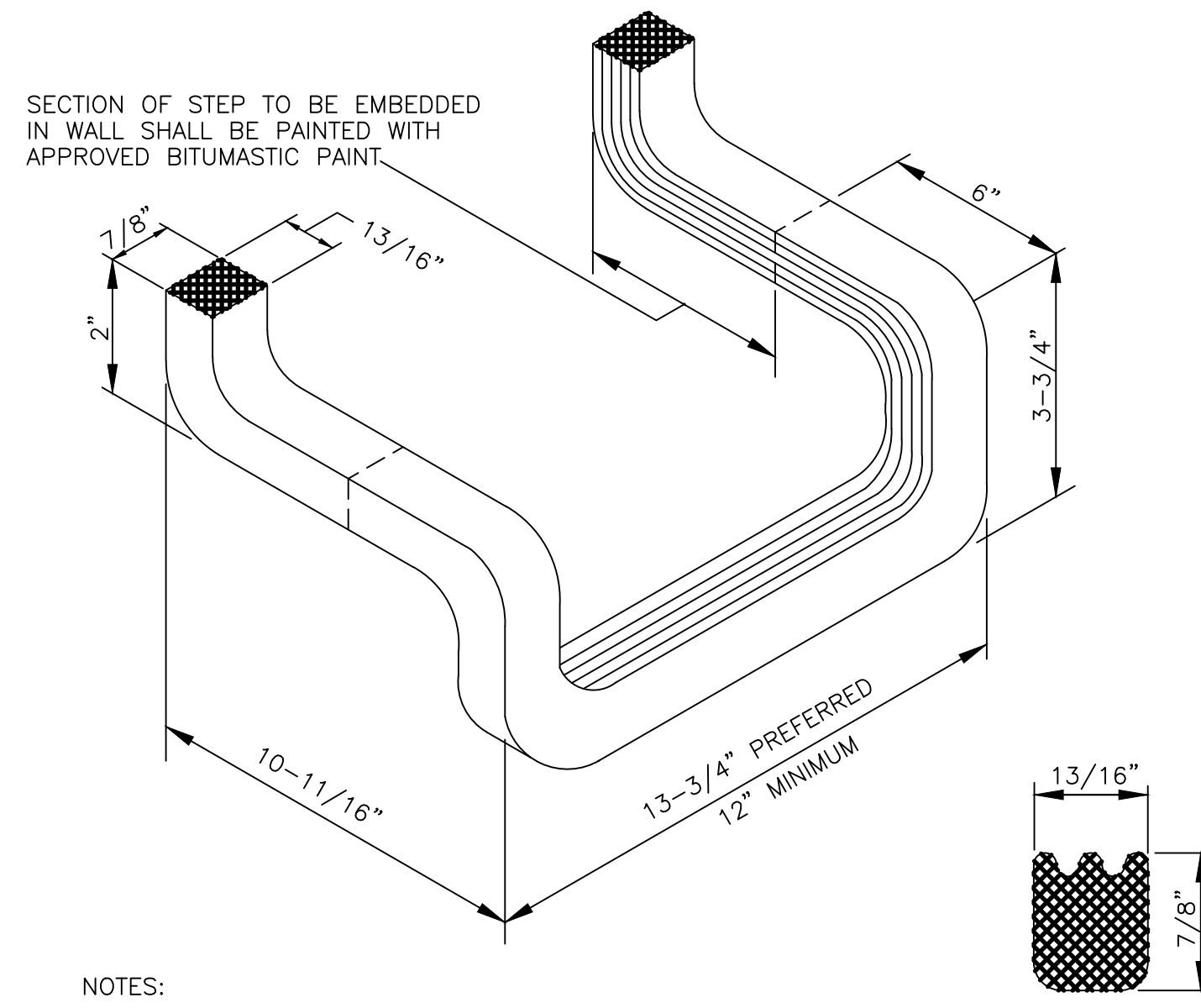
NUSSBAUMER & CLARKE, INC.
 A CORPORATION REGISTERED TO
 PRACTICE PROFESSIONAL ENGINEERING
 & LAND SURVEYING IN THE
 STATE OF NEW YORK

PROGRESS PRINT

UNAUTHORIZED ALTERATION OR ADDITION TO THIS
 ENGINEERING DRAWING IS A VIOLATION OF
 SECTION 7209, PROVISION 2 OF THE NEW YORK STATE
 EDUCATION LAW.

PROJECT NUMBER	22J1-0123
DATE	----
DRAWN BY	CRR
DESIGNED BY	--
CHECKED BY	--
APPROVED BY	--
SCALE:	AS NOTED
1" = 1 INCH	
SHEET No.	7 OF 12

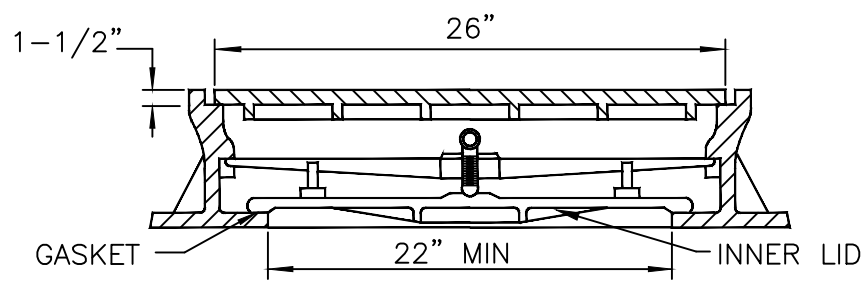
A1 SITE PLAN
 SCALE: 1" = 20'



- NOTES:
1. MANHOLE STEPS SHALL BE OF FORGED ALUMINUM ALLOY.
 2. THE STEPS SHALL BE EMBEDDED IN THE WALLS OF THE CONCRETE PIPE BARREL WHILE THE PIPE IS BEING CAST OR SECURELY GROUTED IN PLACE AFTER CASTING.

D1 STANDARD MANHOLE STEP

SCALE: NOT TO SCALE
TOWN OF PENDLETON STANDARD DETAIL SS-8



1. MATERIAL ASTM A48 30B CAST IRON.
2. UNIT MUST WITHSTAND H-20 WHEEL LOADING.
3. ALL DIMENSIONS ARE TO BE CONSIDERED MINIMUM WITH THE EXCEPTION OF THE COVER, WHICH MUST CONFORM EXACTLY TO MAINTAIN INTERCHANGEABILITY WITHIN THE COUNTY.
4. WATER TIGHT MANHOLE UNITS SHALL HAVE 4" STEEL VENT PIPE ASSEMBLY AS PER DETAIL.
4. FRAMES AND COVERS SHALL HAVE MECHANICAL BEARING SURFACES.
6. COVERS SHALL BE SOLID WITH NO PENETRATING PICKHOLES.
7. NO COMMERCIAL BRAND NAME LETTERING WILL BE ALLOWED ON THE EXPOSED SURFACE OF THE COVER.
8. COVER TO BEAR THE INSCRIPTION "PENDLETON SANITARY".

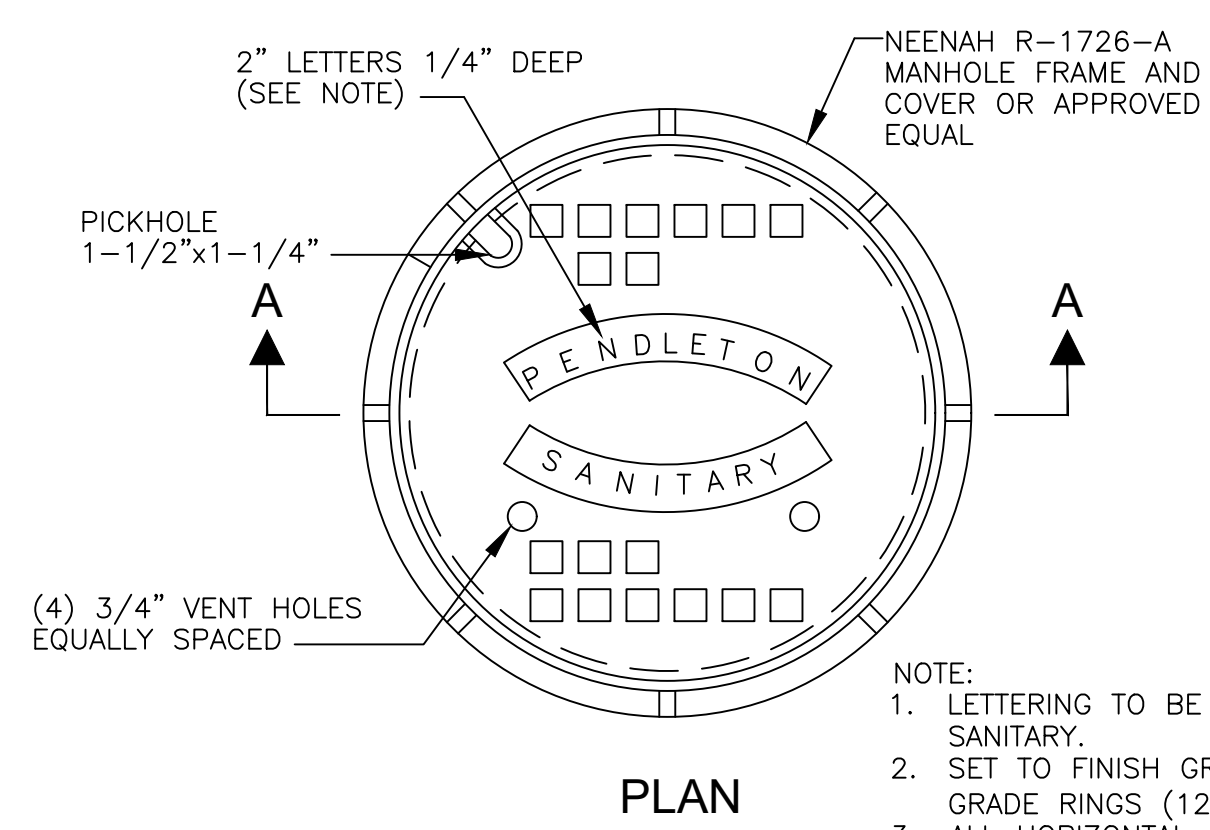
C1 WATER TIGHT FRAME AND COVER

SCALE: NOT TO SCALE
TOWN OF PENDLETON STANDARD DETAIL SS-19

WATERMAIN / SEWER CROSSING DETAIL		
CONDITION	SCHEMATIC	REQUIREMENTS
I WATERLINE ABOVE SEWER LINE		A.) WATERLINE AND SEWER LINE PIPE LENGTHS TO BE CENTERED AT CROSSING. EACH LENGTH OF PIPE TO BE 10 FT. MINIMUM.
II SEWER LINE ABOVE WATERLINE		A.) WATERLINE AND SEWER LINE PIPE LENGTHS TO BE CENTERED AT CROSSING. EACH LENGTH OF PIPE TO BE 10 FT. MINIMUM. B.) PROVIDE CONCRETE ENCASEMENT (SEE TRENCH SECTION DETAIL BELOW) FOR WATERLINE FOR 10 FT. EACH OF CROSSING.
WL (WATERLINE) SL (SEWER LINE, SANITARY OR STORM) D (OUTSIDE DIAMETER OF PIPE)		
IN NO CASE SHALL PIPES BE CLOSER THAN 12 INCHES APART. DISTANCES ARE MEASURED BETWEEN OUTSIDES OF PIPE.		

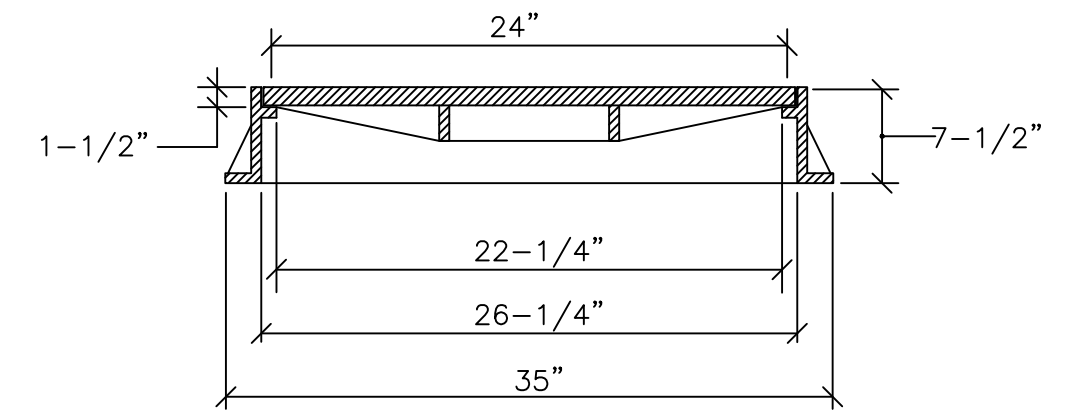
A1 WATER / SEWER CROSSING

SCALE: NOT TO SCALE
TOWN OF PENDLETON STANDARD DETAIL SS-12



- NOTE:
1. LETTERING TO BE PENDLETON SANITARY.
 2. SET TO FINISH GRADE WITH GRADE RINGS (12" MINIMUM).
 3. ALL HORIZONTAL BEARING SURFACES TO BE MACHINED.

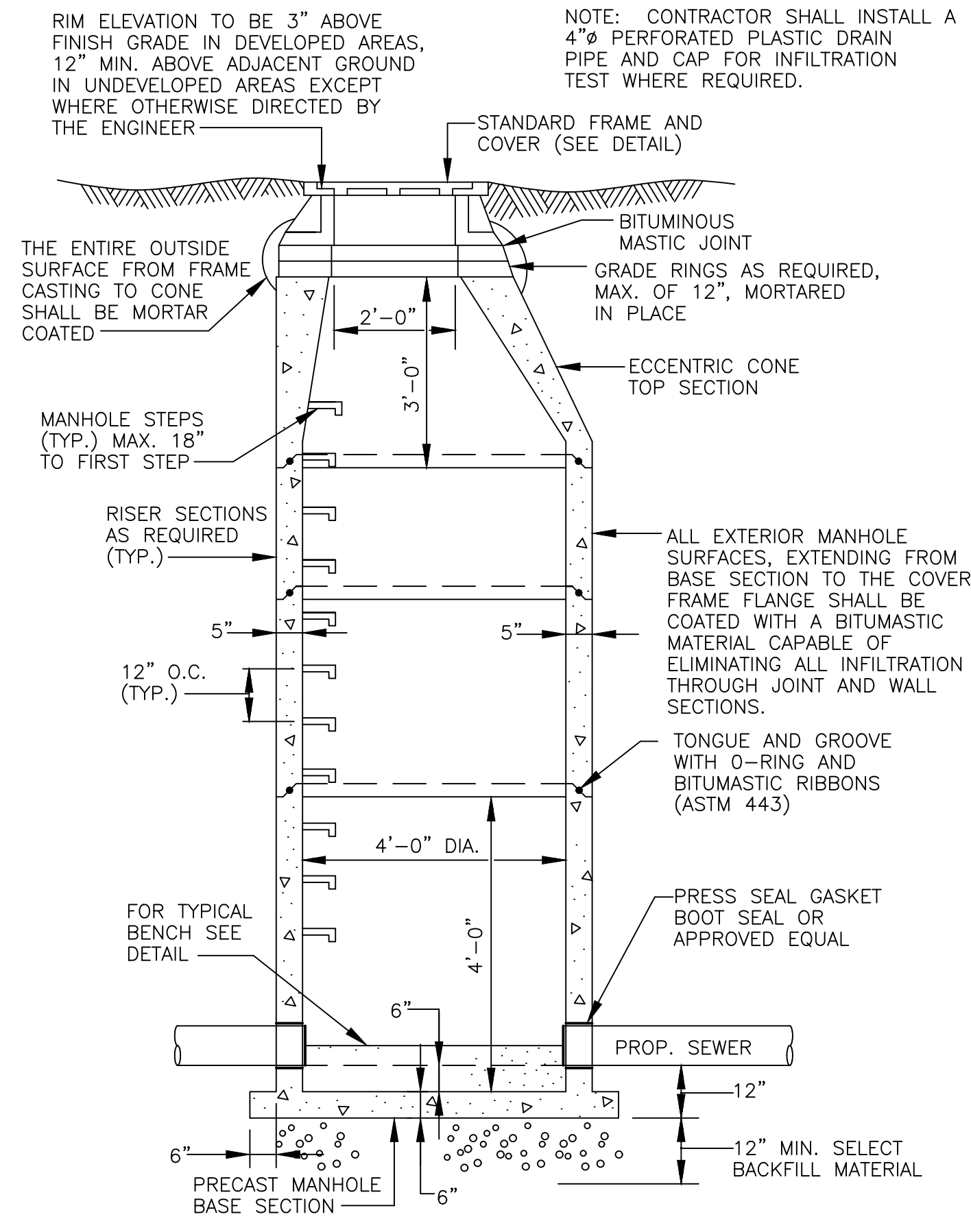
PLAN



SECTION

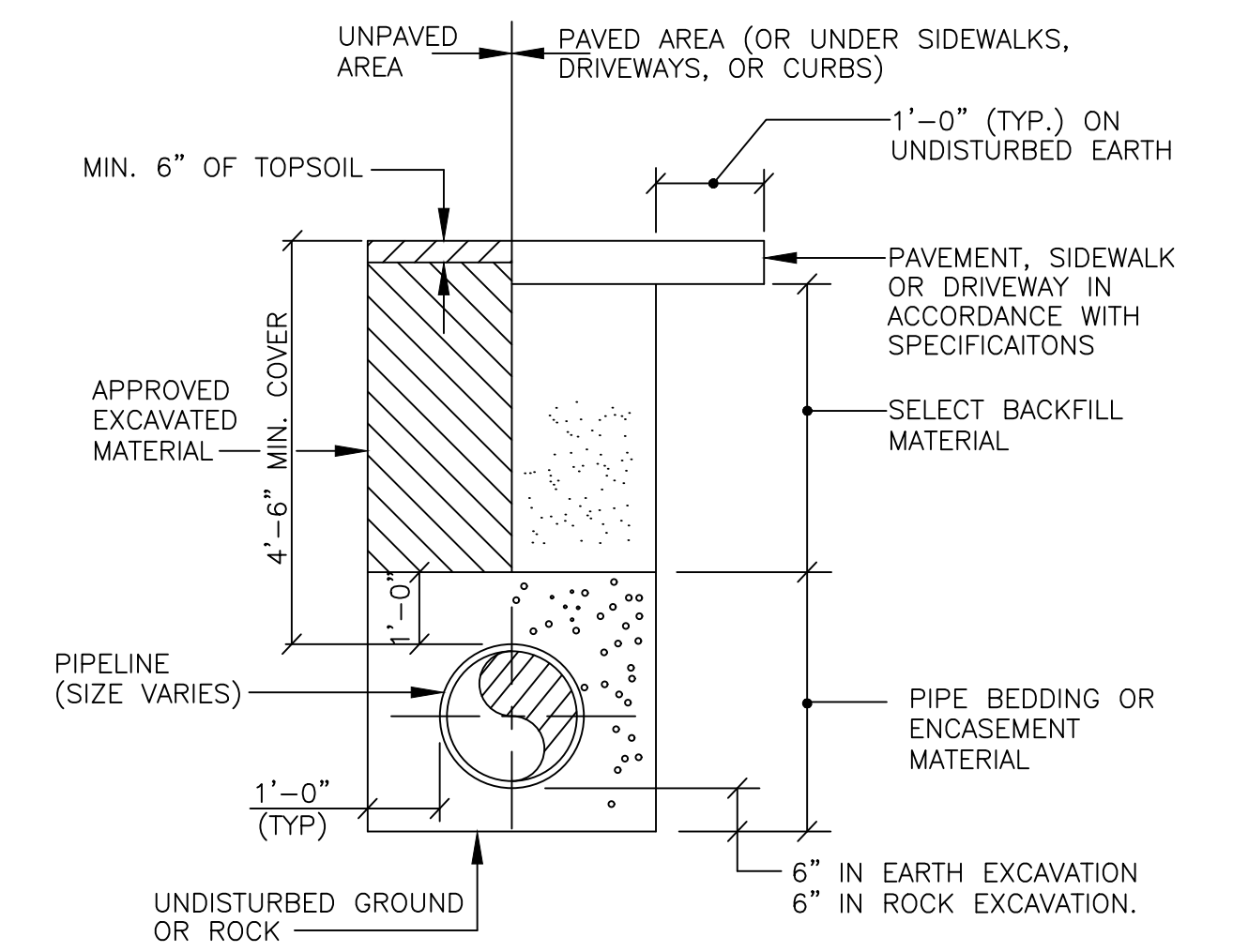
C3 STANDARD MANHOLE FRAME AND COVER

SCALE: NOT TO SCALE
TOWN OF PENDLETON STANDARD DETAIL SS-7



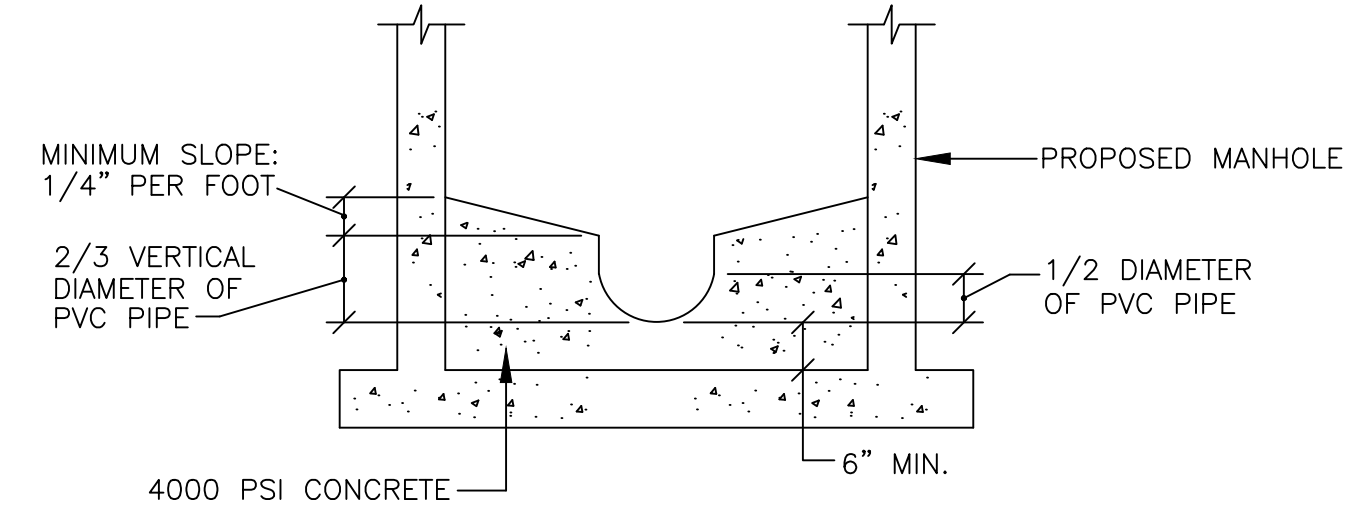
A3 TYPICAL SANITARY MANHOLE

SCALE: NOT TO SCALE
TOWN OF PENDLETON STANDARD DETAIL SS-2



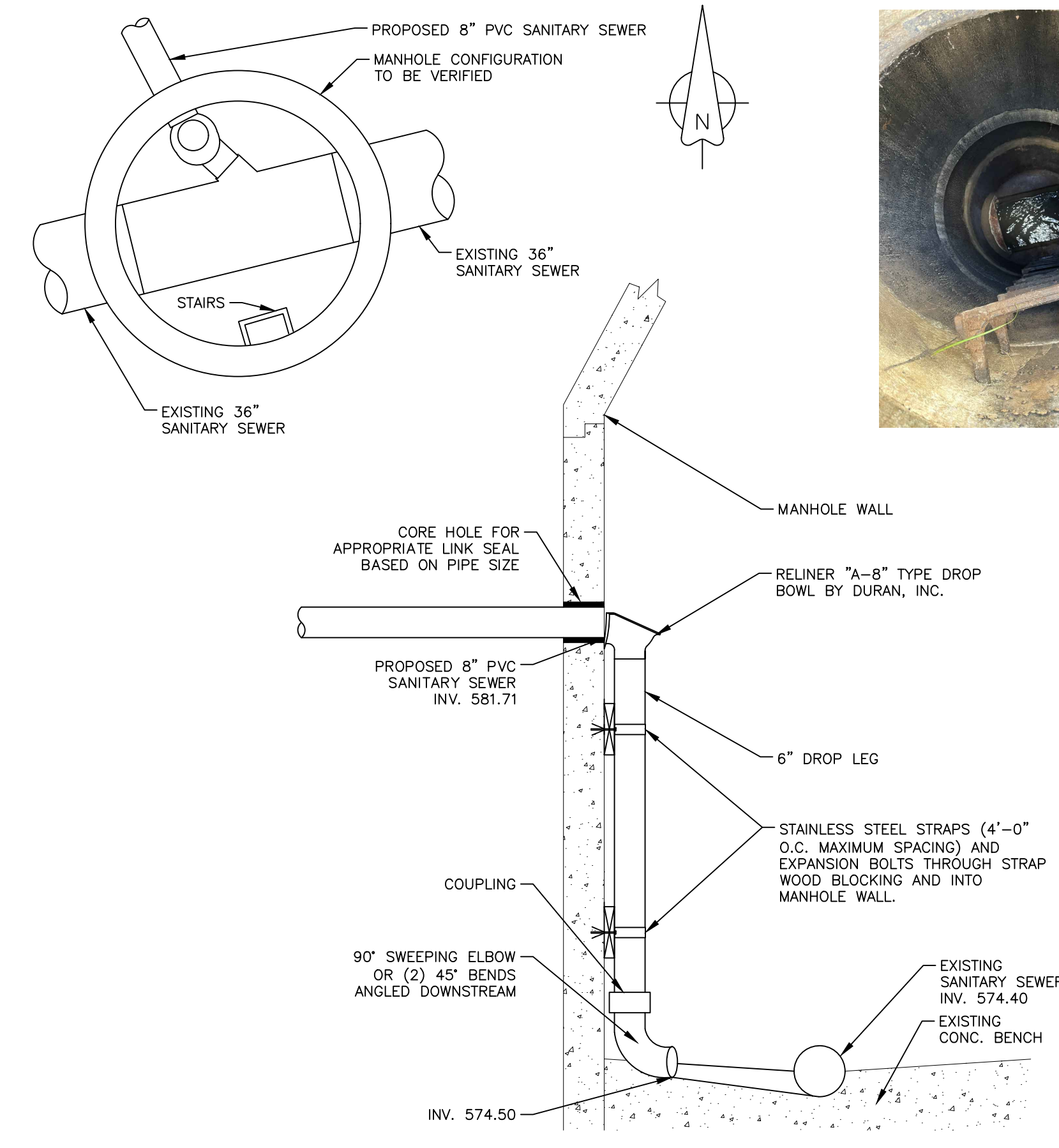
D4 TYPICAL TRENCH (STORM / SANITARY SEWER)

SCALE: NOT TO SCALE
TOWN OF PENDLETON STANDARD DETAIL ST-1



C4 TYPICAL BENCH

SCALE: NOT TO SCALE
TOWN OF PENDLETON STANDARD DETAIL SS-5



A4 NCS D MH#21-39- DROP MANHOLE

SCALE: NOT TO SCALE
TOWN OF PENDLETON STANDARD DETAIL SS-3



PENDLETON PARK IMPROVEMENTS
 6570 CAMPBELL BLVD. LOCKPORT, NY
SEWER AND DRAINAGE DETAILS

REVISIONS		
No.	DESCRIPTION	DATE
0		

NUSSBAUMER & CLARKE, INC.
A CORPORATION REGISTERED TO PRACTICE PROFESSIONAL ENGINEERING & LAND SURVEYING IN THE STATE OF NEW YORK

PROGRESS PRINT

UNAUTHORIZED ALTERATION OR ADDITION TO THIS ENGINEERING DRAWING IS A VIOLATION OF SECTION 7209, PROVISION 2 OF THE NEW YORK STATE EDUCATION LAW.

PROJECT NUMBER	22J1-0123
DATE	----
DRAWN BY	CRR
DESIGNED BY	---
CHECKED BY	---
APPROVED BY	---
SCALE:	AS NOTED
1" = 1 INCH	
SHEET No.	9 OF 12

C-502