

Date of Issuance: 10/09/2024	Effective Date: 08/28/2023
Owner: Town of Pendelton	Owner's Contract No.: #219091-21-049E
Contractor: CIR Electrical	Contractor's Project No.:
Engineer: Nussbaumer & Clarke, Inc	Engineer's Project No.: 22J1-0123
Project: Town of Pendelton Community Center	Contract Name: Electrical Contract

The Contract is modified as follows upon execution of this Change Order:

**Description:**

This Change Order is in reference to:

- Addina CO2/Smoke detector to the Upper Mezzanine Mechanical Space per Ron Dedrick request.

Attachments: *CO #14 CO Smoke Detector*

CHANGE IN CONTRACT PRICE	CHANGE IN CONTRACT TIMES <i>[note changes in Milestones if applicable]</i>
Original Contract Price:  \$ 398,150.00	Original Contract Times: Substantial Completion: <u>N/A</u> Ready for Final Payment: <u>N/A</u> days or dates
[Increase] [Decrease] from previously approved Change Orders No. <u>EC-1</u> to No. <u>EC-12</u> :  \$80,130.42	[Increase] [Decrease] from previously approved Change Orders No. <u>N/A</u> to No. <u>N/A</u> : Substantial Completion: _____ Ready for Final Payment: _____ days
Contract Price prior to this Change Order:  \$478,280.42	Contract Times prior to this Change Order: Substantial Completion: <u>N/A</u> Ready for Final Payment: <u>N/A</u> days or dates
Increase of this Change Order:  \$ 540.14	[Increase] [Decrease] of this Change Order: Substantial Completion: <u>N/A</u> Ready for Final Payment: <u>N/A</u> days or dates
Contract Price incorporating this Change Order:  \$ 478820.56	Contract Times with all approved Change Orders: Substantial Completion: <u>N/A</u> Ready for Final Payment: <u>N/A</u> days or dates

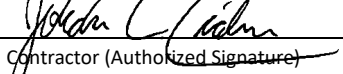
**RECOMMENDED:**

**ACCEPTED:**

**ACCEPTED:**

By: \_\_\_\_\_  
Engineer (if required)  
Title: 10/09/2024  
Date: Associate – Construction Services

By: \_\_\_\_\_  
Owner (Authorized Signature)  
Title: \_\_\_\_\_  
Date: \_\_\_\_\_

By:   
Contractor (Authorized Signature)  
Title: Jordan Cialone, Project Manager  
Date: October 9th, 2024



2517 Long Rd.  
Grand Island, NY 14072

**CHANGE ORDER REQUEST RECAP**

Job Name: Pendleton Community Center

Date: 10/9/2024

Contract No.: 21-049E

Change Order Request No.: 15

CIR Job No.: 2302023

**Description:**

CIR to provide (1) one 120V AC combination smoke/CO detector in the mezzanine above the kitchen and restrooms. Combination smoke/CO unit to be ceiling mounted, utilizing power from an existing circuit, and will not be tied into the existing fire alarm system.

Material Description	Material	Labor Description	Hours	Rate	Labor Cost
Attached Take-Off Sheet	\$ 34.36	Foreman ST	2.0	\$ 94.93	\$ 189.86
Attached Rexel Smoke/CO Quote	\$ 82.83	Apprentice ST	2.0	\$ 70.24	\$ 140.48
<b>Material Cost Subtotal:</b>	\$ 117.19				
<b>Job Expenses:</b>		Supervision (0%)	0.000	\$ 92.00	\$ -
Document Control	\$ -	Tool Usage (4% of Labor)			\$ 13.21
Travel Time Costs	\$ -	<b>Total Labor Costs:</b>			\$ 343.55
Telephone	\$ -	<b>SUBTOTAL(L+M+JE)</b>			\$ 460.74
Transportation	\$ -	Research & Layout		0%	\$ -
Storage / Warehouse	\$ -	Material Handling		0%	\$ -
Safety (3% of Labor Cost)	\$ -	Clean Up Costs:		0%	\$ -
Inspections & Permits	\$ -				
Record Drawings	\$ -				
Fuel Surcharges (4% of Material Cost)	\$ -	<b>SUBTOTAL:</b>			\$ 460.74
		Overhead		10%	\$ 46.07
<b>Total Job Expenses</b>	\$ -	Profit		5%	\$ 25.34
<b>Qualifications &amp; Clarifications:</b> 1.) Sales Tax is NOT included 2.) Straight Time only-NO overtime included 3.) No cutting and patching included 4.) Schedule Impact		Subcontractor Amount			\$ -
		Subcontractor Mark-up		15%	\$ -
		<b>TOTAL:</b>			\$ 532.16
		Tax on Total		-	\$ -
		Bond Cost		2%	\$ 7.98
		<b>Change Order Request Total</b>			\$ 540.14

*We reserve the right to correct any and all errors and omissions*

Description	Quantity	Price Unit	Net Cost	Labor	Labor Unit	Total Material	Total Hours
3/4" CONDUIT - EMT	10	C	\$85.30	4.40	C	\$8.53	0.46
3/4" ELBOW 90 DEG - EMT	1	C	\$469.00	25.00	C	\$4.69	0.26
3/4" CONN SS DC - EMT	2	C	\$207.65	12.50	C	\$4.15	0.26
3/4" 2-H STRAP - RMC - STEEL	2	C	\$22.71	7.50	C	\$0.45	0.16
#12 THHN BLACK	50	M	\$179.60	6.44	M	\$8.98	0.34
WIRE CONN RED	6	C	\$34.22	7.50	C	\$2.05	0.47
4x 1 1/2" OCT BOX COMB KO	1	C	\$251.26	27.50	C	\$2.51	0.29
4" OCT BOX EXT RING 1/2" KO	1	C	\$181.23	8.75	C	\$1.81	0.09
#8 TO #10x 7/8 PLAS ANCHOR (3/16)	8	C	\$4.60	7.50	C	\$0.37	0.63
#8-32x 1 P/H SLOT/PHILLIPS MACHINE SCREW	8	C	\$10.09	3.50	C	\$0.81	0.29
COMBO CO/SMOKE DETECTOR	1	E	\$0.00	0.63	E	\$0.00	0.66
<b>Totals</b>						<b>\$34.36</b>	<b>3.92</b>



# Cart Summary

## Customer Details

**Customer Name:**  
**CIR ELECTRICAL COMMUNITY HEALTH-J**  
**(17544/567742)**


Cart #: 1216586

## Cart Summary

Items: 1  
Subtotal: \$82.83

Final price, taxes, and other fees calculated on the checkout page

**Cheektowaga #3903 - 505 Duke Rd Ste. 400 Cheektowaga, NY 14225 US**

Product	Qty	Price	Pre-tax Total <small>(all product lines totaled)</small>
 <b>KIDDE FIRE</b> <b>21027323 Wire-Free Interconnected AC Hardwired, 120 Volt AC</b> ITEM #: 1163209 CAT: 21027323 UPC: 047871273232	1	\$82.83	\$82.83

# Intelligent Wire-Free Combo Smoke /CO Alarm

120V AC with 10-Year Battery Backup  
and Wire-Free Interconnect



Technology that saves lives.

Model P4010ACSCO-W

AC/DC Combo Alarm



**10-Year Sealed Lithium Battery**  
Eliminates late night battery chirp!

**Voice Notifications**

**Bug Screen**

Protects alarm from insect ingress

**Flashing LED Status Ring allows easy identification of current state of alarm**



Green:  
Device is Working



Amber:  
Error



Red:  
Danger Detected

## Description

The P4010ACSCO-W is an AC/DC powered smoke and carbon monoxide (CO) alarm with 10 year battery backup that features supervised wire-free interconnect capability and provides enhanced intelligibility for users. The voice warning feature accompanies the 85dB tone during an alarm event, and helps reduce confusion with verbal announcements such as "Replace alarm" at end of alarm life, and "Hush mode activated" when a nuisance alarm is silenced. The three color LED ring helps users quickly determine standby, alarm, or error mode of the alarm.

Kidde P4010 Series Alarms contain 10-year tamper proof batteries that eliminate the need for battery replacement, and ends worry over unauthorized removal. Users are further shielded from late night battery chirps by the unit's Ambient Light Sensing feature, which establishes a day/night cycle and prevents alarm chirping in dark conditions.

Wire-Free or hardwire interconnect triggers each connected alarm in the network to sound once smoke or CO is detected, which can provide more time to react to a hazard. The National Fire Alarm and Signaling Code (NFPA 72) has required smoke alarms in new homes to be interconnected since 1989, which traditionally involves running wiring to each alarm. Older and remodeled homes can now be updated to current standards without having to run new interconnect wiring to each alarm (AC power wiring still required). Existing networks of interconnected alarms can be expanded with use of a single P4010ACSCO-W and additional Kidde Wire-Free alarms.

Additional benefits and features are available when used in conjunction with the **Kidde Remotelync Bridge**, which connects P4010 Wire-Free alarms via your home's Wi-Fi to your smart device. Additional information such as battery life and sensor health status are available from each assigned room location. Weather alerts, and intruder alerts (when used with the Kidde Remotelync camera), can be sent to each connected alarm, creating an easy to install fire – security – weather – warning system from one network of devices.

## Features and Benefits

**Supervised Wire-Free Interconnect:** Proprietary radio signal joins multiple alarms together, so when one alarm sounds they all sound. User is alerted if an alarm loses connection to the network.

**Sealed-in Lithium Battery:** No battery replacement required over the 10 year life of the alarm.

**Voice Notifications:** Unit verbally announces "Fire!" and other alerts such as "Replace Alarm," which helps the user better understand current status of the unit.

**Easy to Install:** Simply turn the switch on the back of unit or mount to bracket to activate the alarm. Multiple units can be interconnected with push of one button.

**Intelligent Sensor Technology:** Reduces nuisance alarms and offers fast response to real fires.

**Ambient Light Sensing:** Establishes Day/Night cycle and prevents chirping during the night until the next Day cycle begins.

**Alarm Locate Feature:** Quickly find initiating alarm by silencing other alarms in the network.

**Test/Hush® Button:** Tests alarm circuitry and activates Hush® feature to temporarily silence nuisance alarms for up to 10 minutes. End of Unit Life and Network Error chirps can also be silenced.

**End of Unit Life Warning:** Alerts user the alarm is in need of replacement.

**Compatible with Remotelync Bridge:** Connect to the Kidde app for additional features and benefits.

**10-Year Limited Warranty**



## Architectural and Engineering Specifications

The smoke and carbon monoxide alarm model shall be P4010ACSCO-W or approved equal and is powered by a 120VAC, 60Hz source along with lithium battery backup. The lithium batteries shall be sealed in the unit to prevent removal and/or tampering. The unit shall incorporate a photoelectric sensor.

The smoke alarm can be installed on any standard single gang electrical box, up to a 4" octagon junction box, following the UL/Manufacturer's approved placement guidelines. The electrical connection (to the alarm) shall be made with a plug-in connector. The alarm shall incorporate an activation switch that can be engaged with the included tool or screwdriver to power on the alarm at startup, and deactivate the alarm at end of alarm life.

The P4010ACSCO-W shall include a test button that will simulate fire and carbon monoxide conditions and cause the unit to go into alarm. This sequence tests the unit's electronics to ensure proper operation. A maximum of 24 Kidde devices can be interconnected in a multiple station arrangement. The interconnect system must not exceed the NFPA (National Fire Protection Association) limit of 18 initiating devices, of which 12 can be smoke alarms.

The unit shall have audible methods for warning of smoke or fire danger: a piezoelectric horn, rated at 85 decibels at 10 feet, and a voice warning. In a smoke incident, the horn will sound in the repetitive manner – three long beeps, a 1.5 second pause, three long beeps, repeating. In between, the unit will announce a voice warning, "Fire!" For a CO incident, the horn will sound in the repetitive manner - 4 quick beeps, voice message "Warning! Carbon Monoxide", 4 quick beeps. The red LED ring will flash in conjunction with the alarm sound.

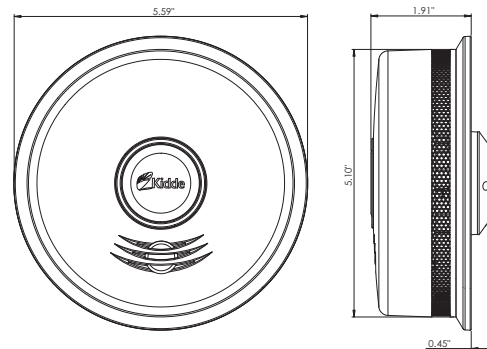
The unit shall incorporate wireless alarm interconnect capability, whereas when one interconnected unit sounds an alarm, all other compatible wireless units in the wireless alarm network will alarm. The maximum distance between wireless interconnect models is greater than 300 feet in open air. The alarm interconnect shall be supervised, where an audible and visual indication is given if the alarm loses connection to other units in the network.

The unit shall at a minimum meet the requirements of UL217, UL 2034, NFPA 72, The State of California Fire Marshall, NFPA101 (One and two family dwellings), Federal Housing Authority (FHA), Housing and Urban Development (HUD). The alarm shall be UL Listed and shall include a 10-year manufacturer's limited warranty.

*Leading authorities recommend that both ionization and photoelectric smoke alarms be installed to help ensure maximum detection of the various types of fires that can occur within the home. Ionization sensing alarms may detect invisible fire particles (associated with fast flaming fires) sooner than photoelectric alarms. Photoelectric sensing alarms may detect visible fire particles (associated with slow smoldering fires) sooner than ionization alarms.*

## Technical Specifications

<b>Model:</b>	P4010ACSCO-W
<b>Power Source:</b>	120VAC (60Hz 53mA Max Sealed 3V Battery Backup)
<b>Sensor:</b>	Smoke: Photoelectric CO: Electrochemical
<b>Audio Alarm:</b>	85dB at 10ft
<b>Temperature Range:</b>	40°F (4.4°C) to 100°F (37.8°C)
<b>Humidity Range:</b>	10 to 95% non-condensing relative humidity (RH)
<b>Size:</b>	5.59" in diameter x 1.91" depth
<b>Weight:</b>	0.6 lb
<b>Interconnects:</b>	Up to 24 Kidde devices
<b>Warranty:</b>	10 year limited



### Compatible Intelligent Wire-Free 10-Year Models

#### 10-Year Sealed Battery Operated Alarms

- P4010DCS-W: Smoke Alarm with Wire-Free Interconnect
- P4010LDCS-W: Smoke Alarm with Wire-Free Interconnect and Emergency Safety Light
- P4010DCSCO-W: Combination Smoke and CO Alarm with Wire-Free Interconnect

#### HARDWIRED Alarms with 10-Year Sealed Battery Backup

- P4010ACS-W: Smoke Alarm with Wire-Free Interconnect
- P4010LACS-W: Smoke Alarm with Wire-Free Interconnect and Emergency Safety Light
- P4010ACSCO-W: Combination Smoke and CO Alarm with Wire-Free Interconnect

## Ordering Information

Ordering No:	UPC	I 2 of 5	Pack Config.	Pack Qty	Dimensions (w" x d" x h")	Weight	Cartons/ Pallet
21027323	0-47871-27323-2	100-47871-27323-9	Single	2	8.25 x 6.25 x 9.5	2.5	136

### Distributed by:



1016 Corporate Park Drive  
Mebane, NC 27302  
1-800-880-6788  
www.Kidde.com