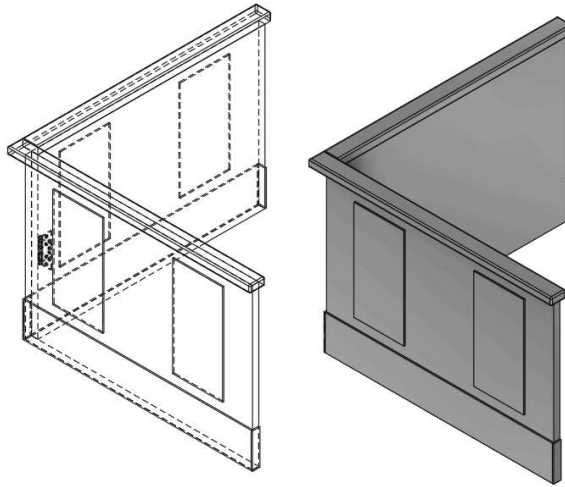
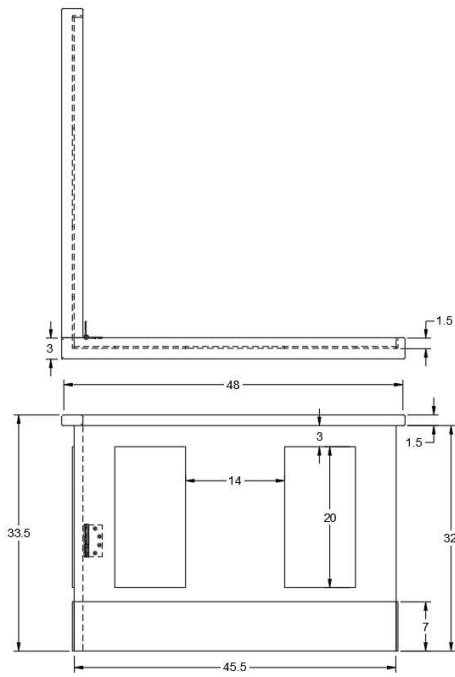


Subject **witness stand**
 From Robert Lucas <fflucas19@gmail.com>
 To Hon. Todd T. Ostrowski <tostrowski@nycourts.gov>, JM
 <jmaerten@pendletonny.us>
 Date 2024-08-07 17:21



This is a sketch, we are going to add a 11 inch writing folding desktop, matching the judicial bench with the same finish and made of white oak.

Price is \$1,475



PROJECT				
Shared Projects				
TITLE				
Witness Stand				
APPROVED	SIZE	CODE	DWG NO	REV
CHECKED	B			
DRAWN	7/18/2024	SCALE 1:10	WEIGHT	SHEET 1/1

Thank you,

Robert Lucas
 716-380-9133